

General purpose hydrophone

H505L

SPECIFICATIONS

| | | |
|-------------------------------------|---------------------------------------|---------------------------------|
| Output sensitivity | -160 dB re 1V/ μ Pa | |
| Amplifier gain | 10 dB | |
| Typical spectrum noise: | | |
| | at 10 Hz | 54 dB re 1 μ Pa/ \sqrt Hz |
| | at 100 Hz | 34 dB re 1 μ Pa/ \sqrt Hz |
| | at 1 kHz | 15 dB re 1 μ Pa/ \sqrt Hz |
| | at 10 kHz | 6 dB re 1 μ Pa/ \sqrt Hz |
| Frequency response: | | |
| | ± 3 dB | 2.0 - 10,000 Hz |
| | Omnidirectional | 2.0 - 5,000 Hz |
| Maximum operating depth | 250 meters | |
| Maximum temperature | +80°C | |
| Output impedance | 200 Ω | |
| Supply voltage | 24 VDC | |
| Current, max | 10 mA | |
| Bias output voltage, nominal | 10 V | |
| Cable¹ | J95, 5-conductor shielded, 0.25" dia. | |
| Jacket material | polyurethane | |



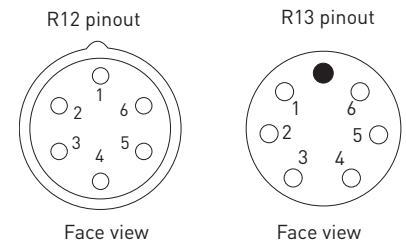
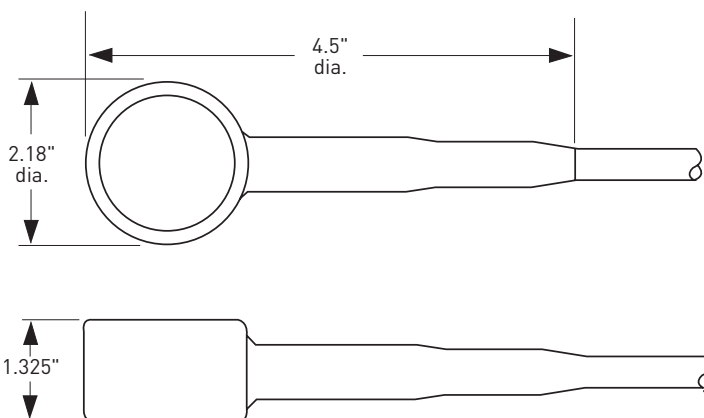
Key features

- Ultra low noise internal amplifier
- Designed for a wide variety of underwater acoustic measurements
- Manufactured in ISO 9001 facility

Notes: ¹ Cable length specified by customer at time of order.

Available underwater connectors: R12 (Brantner RMK-6-MP); R13 (Brantner AWM-6-MP)

Available locking rings: LP = plastic locking sleeve for R12 or R13; LS = stainless steel locking sleeve for R12 or R13



| Cable color | Function | Pin out |
|-------------|----------------|---------|
| shield | case | 1 |
| black | common | 2 |
| red | B+, signal out | 3 |
| green | N/C | 4 |
| white | N/C | 5 |
| yellow | N/C | 6 |

Export classification: ECCN 6A001

Note: Due to continuous process improvement, specifications are subject to change without notice. This document is cleared for public release.